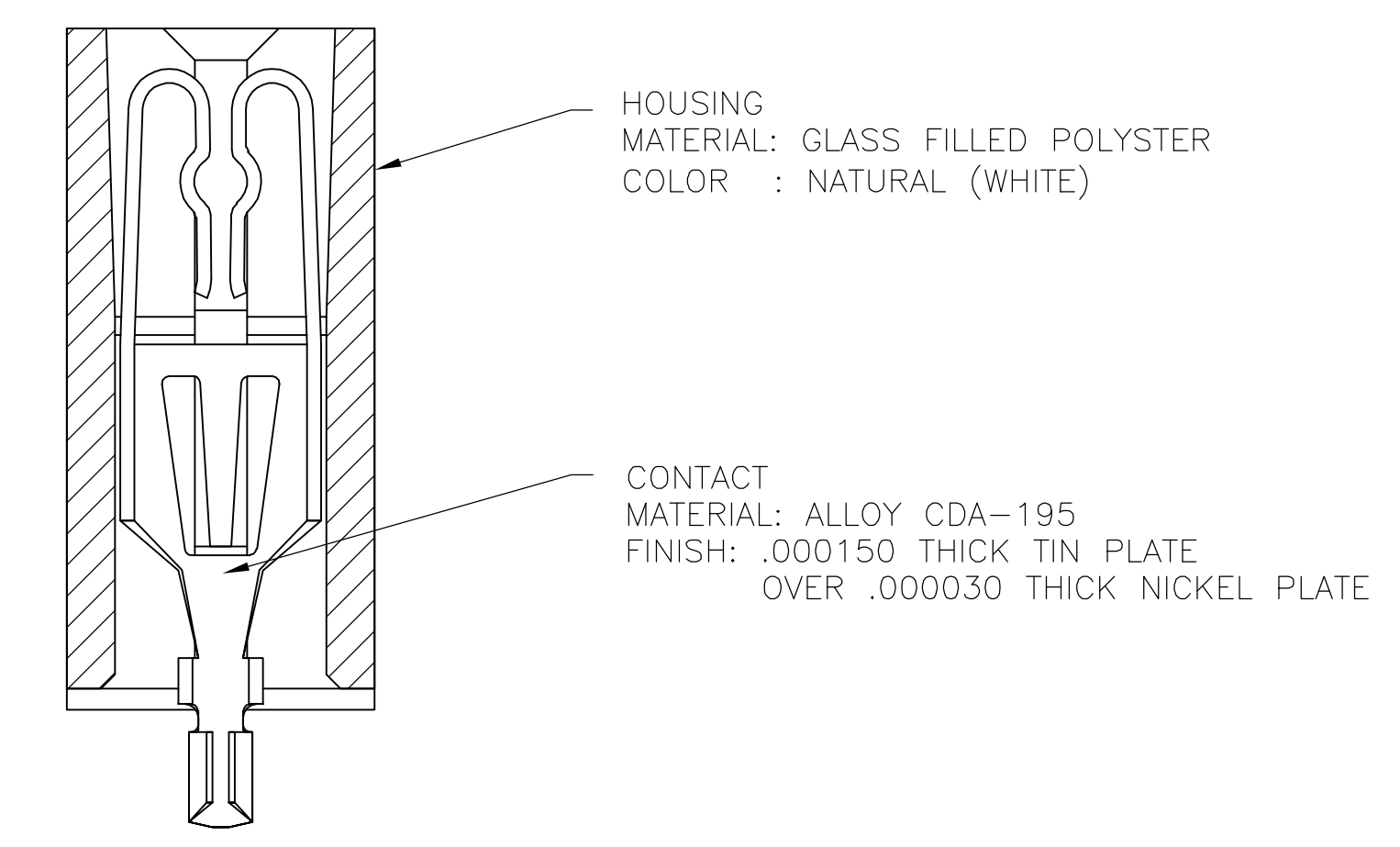
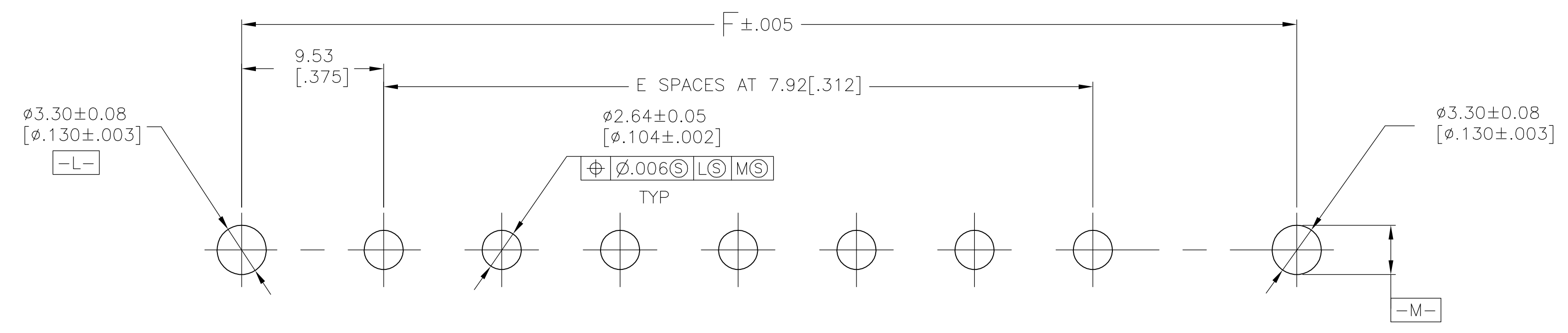


1. A 1/16" THICK DUMMY PC BOARD SHOULD BE INSERTED DURING SOLDERING.
2. MEASURE ACROSS MOUNTING EARS. MAY GOTO .020 OVER NOMINAL AT TOP OF THE HOUSING.
3. AVOID CORING OPTION.
4. MATTE TIN PLATED POST.



4.346	11	3.832	3.972	4.346	4.780	12	△	5-531353-9	
3.722	9	3.208	3.348	3.722	4.156	10	△	5-531353-8	
3.410	8	2.896	3.036	3.410	3.844	9	△	5-531353-7	
3.098	7	2.584	2.724	3.098	3.532	8	△	5-531353-6	
2.474	5	1.960	2.100	2.474	2.908	6	△	5-531353-5	
2.162	4	1.648	1.788	2.162	2.593	5	△	5-531353-4	
1.850	3	1.336	1.476	1.850	2.284	4	△	5-531353-3	
1.538	2	1.024	1.164	1.538	1.972	3	△	5-531353-2	
OBSOLETE	1.226	1	0.712	0.852	1.226	1.660	2	△	5-531353-1
4.346	11	3.832	3.972	4.346	4.780	12		531353-9	
3.722	9	3.208	3.348	3.722	4.156	10		531353-8	
3.410	8	2.896	3.036	3.410	3.844	9		531353-7	
3.098	7	2.584	2.724	3.098	3.532	8		531353-6	
2.474	5	1.960	2.100	2.474	2.908	6		531353-5	
2.162	4	1.648	1.788	2.162	2.593	5		531353-4	
1.850	3	1.336	1.476	1.850	2.284	4		531353-3	
1.538	2	1.024	1.164	1.538	1.972	3		531353-2	
1.226	1	0.712	0.852	1.226	1.660	2		531353-1	
F	E	D	C	B	A	NO. OF POSN		PART NUMBER	



THIS DRAWING IS A CONTROLLED DOCUMENT.

DIMENSIONS: mm [INCHES]	TOLERANCES UNLESS OTHERWISE SPECIFIED:	DIN R BROWN 230CT94	tyco Electronics	Tyco Electronics Corporation Harrisburg, Pa 17105-3608
0 PLC ± -	1 PLC ± -	CHK C MOSHER 230CT94	APVD C MOSHER 230CT94	NAME
2 PLC ± -	3 PLC ± .005	APVD C MOSHER 230CT94	PRODUCT SPEC	CONNECTOR ASSEMBLY, HIGH CURRENT
4 PLC ± -	ANGLES ± °	APPLICATION SPEC	SIZE	CAGE CODE
FINISH SEE CALLOUTS	FINISH SEE CALLOUTS	WEIGHT	A1	00779
			SCALE	4:1
			SHEET	1 of 1
			REV	H